

**PLEASE CHECK WWW.MOLEX.COM FOR LATEST PART INFORMATION**

**Part Number:** [0019092099](#)  
**Status:** **Active**  
**Overview:** [standard\\_093](#)  
**Description:** 2.36mm (.093") Diameter Standard .093" Pin and Socket Plug Housing With Positive Latch, UL 94V-2, 9 Circuits

**Documents:**

[3D Model](#) [Packaging Specification \(PDF\)](#)  
[Drawing \(PDF\)](#) [RoHS Certificate of Compliance \(PDF\)](#)

**Agency Certification**

CSA LR19980  
TUV R72081037  
UL E29179

**General**

Product Family Crimp Housings  
Series [3191](#)  
Comments Polarized to Mating Part  
Overview [standard\\_093](#)  
Product Name Standard .093"

**Physical**

Breakaway No  
Circuits (maximum) 9  
Circuits Detail 3x4  
Color - Resin Natural  
Flammability 94V-2  
Gender Dual  
Glow-Wire Compliant No  
Keying to Mating Part None  
Lock to Mating Part Yes  
Material - Resin Nylon  
Number of Rows 3  
Packaging Type Bag  
Panel Mount No  
Pitch - Mating Interface (in) 0.264 In  
Pitch - Mating Interface (mm) 6.71 mm  
Polarized to Mating Part Yes  
Stackable No  
Temperature Range - Operating -40°C to +105°C

**Electrical**

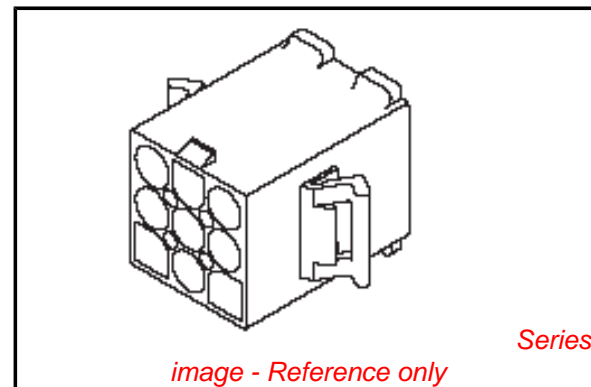
Current - Maximum per Contact 9A

**Material Info**

Old Part Number 3191-9P1

**Reference - Drawing Numbers**

Packaging Specification PK-3191-001  
Sales Drawing SD-3191-9\*



**EU RoHS**

**ELV and RoHS  
Compliant  
REACH SVHC  
Not Reviewed  
Halogen-Free  
Status  
Not Reviewed**

**China RoHS**



**Need more information on product  
environmental compliance?**

Email [productcompliance@molex.com](mailto:productcompliance@molex.com)  
For a multiple part number RoHS Certificate of Compliance, [click here](#)

Please visit the [Contact Us](#) section for any non-product compliance questions.

**Search Parts in this Series**

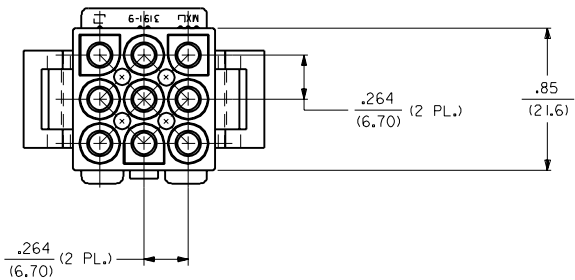
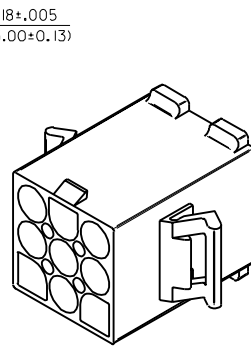
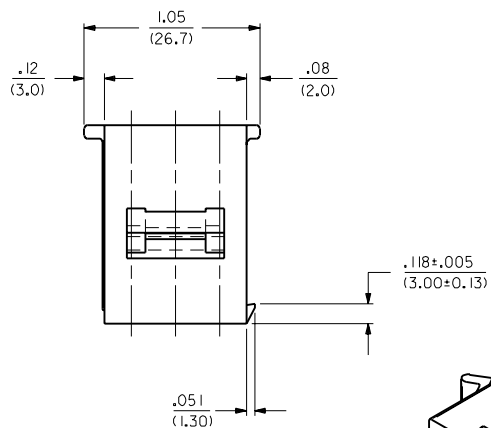
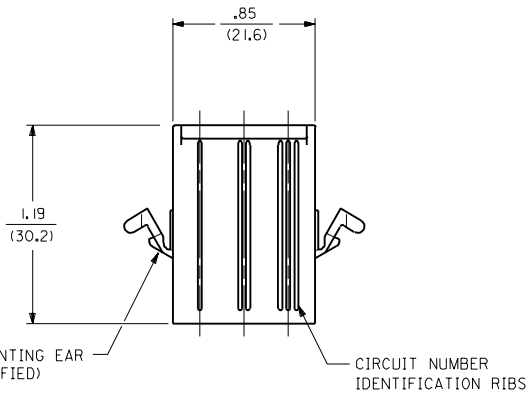
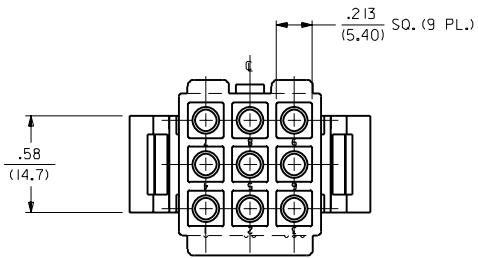
[3191Series](#)

**Mates With**

[3191](#) Pin and Socket Rectacle, [5219](#) Vertical PCB Header

**Use With**

[1189](#) Crimp Terminals, [1190](#) Crimp Terminals, [1380](#) Male Crimp Terminals, [1381](#) Female Crimp Terminals, [1433](#) Crimp Terminals, [1434](#) Male Crimp Terminals, [2605](#) , [2606](#) , [1973](#) , [2151](#) , [2273](#) , [2870](#) , [2871](#) , [4272](#) , Lin



PLUG

J1	ADD RAMP DIM'S ECN #U4 0293 3-1-94 RW
J2	REV. AND REDRAWN ECR #U03592
J1	SEP 8-2-89 RW
MFG. SH. REV.	LTR. REVISIONS

DIMENSIONS SHOWN METRIC (INCH)		UNLESS OTHERWISE SPECIFIED TOLERANCES: ANGULAR ± .005°		REVISE ONLY ON CAD SYSTEM	
TITLE		.093/(2.36) HOUSING, PLUG AND RECEPTACLE, 9 CKT ±.264/(6.70) CTRS.		SHEET NO. DATE 1 OF 3 8 / 2 / 89	
PART NO.		MOLEX INCORPORATED		U.S.A.	
SEE CHART		DRAWG. NO.		SD-3191-9*	
DRAWN BY: CEP		CHKD. BY: RW		FILE NAME: S31919X1	
APP'D. BY: RAS		SCALE: 2:1		DIV. SIZE: CP C	

PLUG		RECEPTACLE	
PART NO.	ENG. NO.	PART NO.	ENG. NO.
19-09-2098	3191-9P	19-09-1099	3191-9R1
19-09-2099	3191-9P1	19-09-1096	3191-9R1-201
19-09-2097	3191-9P-201		
19-09-2096	3191-9P1-201		

**LEGEND:**

3191-9\*\*\*\*-\*

CIRCUIT SIZE

P = PLUG

R = RECEPTACLE

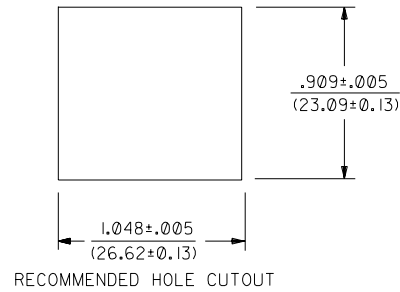
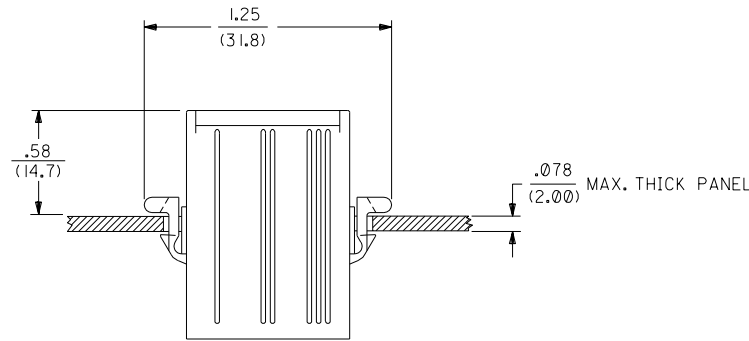
EARS: BLANK = WITH PREBENT EARS (PLUG ONLY)

I = WITHOUT EARS

COLOR: BLANK = NATURAL COLOR

AM=AMBER BK=BLACK BU=BLUE  
 BN=BROWN GY=GRAY GN=GREEN  
 OR=ORANGE RD=RED YW=YELLOW  
 COLORS AVAILABLE ONLY IN 94V-2 MATERIAL

MATERIAL: BLANK=NYLON TYPE 6/6, 94V-2  
 201=NYLON TYPE 6/6, 94V-0



**NOTES:**

I. THESE HOUSINGS FOR USE WITH MOLEX .093/(2.36) DIAMETER SERIES TERMINALS.

DIMENSIONS SHOWN (METRIC) INCH	
UNLESS OTHERWISE SPECIFIED TOLERANCES: ANGULAR ± .04°   10	
5 PLACE ± .010	---
2 PLACE ± .014	± 0.25
1 PLACE ---	± 0.35
DRAFT WHERE APPLICABLE MUST REMAIN WITHIN DIMENSIONS	
DRWG. BY: GEP	CHK'D. BY: RW
APP'D. BY: RAS	SCALE: --:--

▽ =	▼ =	REVISE ONLY ON CAD SYSTEM
TITLE: .093/(2.36) HOUSINGS PLUG AND RECEPTACLE 9 CKT., .264/(6.70) CTRS.		
FROM: MOLEX INCORPORATED L15E,ILL. 60532 U.S.A.	SHEET NO. 3	DATE 8/2/89
PART NO. SEE CHART	DRWG. NO. SD-3191-9*	
FILE NAME: 531919X3.DWG	THIS DRAWING CONTAINS INFORMATION THAT IS PROPRIETARY TO MOLEX INC. AND SHOULD NOT BE USED WITHOUT WRITTEN PERMISSION.	
CP	IC	NO P.S. 1

LTR.	REVISIONS	LTR.	REVISIONS
		J	SEE SHT. 1